



Trust ~ Technology



BOTTLE TYPE FRP COOLING TOWER

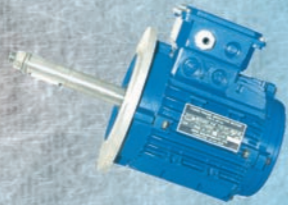


1st time

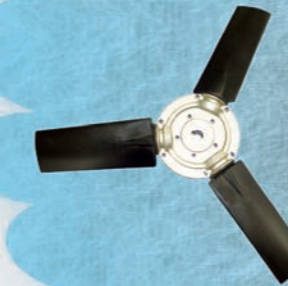
5 Year Warranty on FRP
High Efficiency Aero Dynamic Fan



Superior extended shaft flange mounted frame, water proof with Aluminium body, epoxy painting, SS shaft and EPDM sealing. Saves Power. Highly reliable and build to last.



High Efficiency Aero Dynamic Fan: Axial flow, direct driven, Low noise, Long life, Corrosion free Aluminium, Computerised balanced and wind tunnel tested.



5 Year Warranty for FRP. RTM Mould body, UV - Protected and with glossy finish.

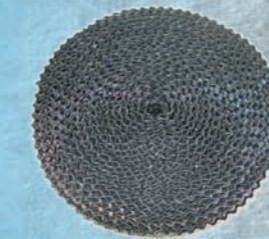


FRP LOUVERS

FRP Louver profile reduces water spillage loss, prevents entry of foreign particles and extends cycle for blow down. Also the proper L/G reduces evaporation loss.



REVOLUTIONARY SPIRAL FILLS: Rigid PVC - with long life, clogg free and ease of assembly. UV Stabilized

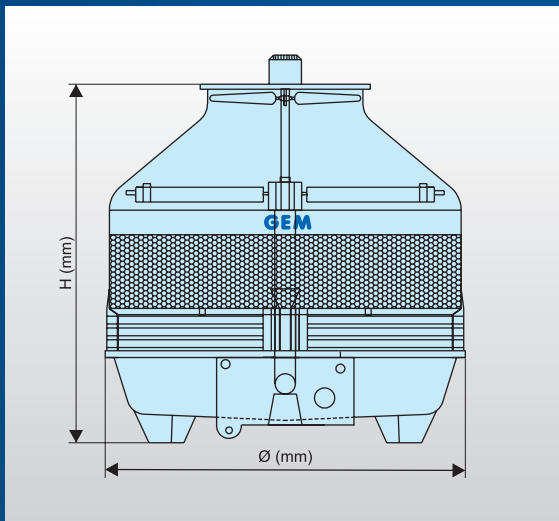


GEM
Trust Technology

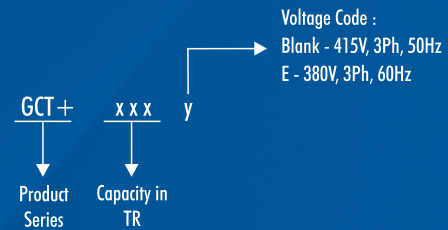
TECHNICAL SPECIFICATION :

Model	Capacity	Motor	Power Consumed	Water Flow Rate	In/out Size	Overall Dimension	Basin Holding Capacity	Shipping Weight	Operating Weight
	T.R	KW / rpm	KW	m ³ /hr	NB	(D X H), mm	litres	kg	kg
GCT+010	10	0.187 / 1000	0.097	7.80	2" / 2"	1000 X 1550	150	80	220
GCT+015	15	0.37 / 950	0.105	11.70	2" / 2"	1250 X 1650	200	120	380
GCT+020	20	0.37 / 950	0.239	15.60	2 1/2" / 3"	1250 X 1650	200	150	420
GCT+030	30	0.75 / 950	0.369	23.40	2 1/2" / 3"	1550 X 1860	400	160	670
GCT+040	40	0.75 / 950	0.507	31.20	3" / 3"	1550 X 1860	400	200	720
GCT+050	50	0.75 / 950	0.612	39.00	3" / 3"	2200 X 2200	850	250	800
GCT+060	60	1.125 / 950	1.096	46.80	3" / 3"	2200 X 2200	850	325	1440
GCT+080	80	1.5 / 950	1.439	62.40	4" / 4"	2550 X 2430	1100	375	1620

GCT+ MODEL



Model Nomenclature :



Design Condition :

- Flow Rate : 0.75 m³ / hr / TR
- Range : 4 °C
- Approach : 4 °C

Our Other Models of Cooling Towers



SCB



SCT



ECT



MODULAR

GEM Equipments (P) Ltd.

S.F. No. 103, Avanashi Road,
Arasur, Coimbatore,
Tamil Nadu 641 407, INDIA.

Phone : +91 422 2363800, 2363836,
2363837
Fax : +91 422 2360523

E-mail : sales@gemindia.com,
service@gemindia.com
Web site : http://www.gemindia.com

Regional Office Email: chennai@gemindia.com • mumbai@gemindia.com • delhi@gemindia.com • pune@gemindia.com

www.velman.com