

High Pressure Refrigerant Compressed Air Dryers

PET Series

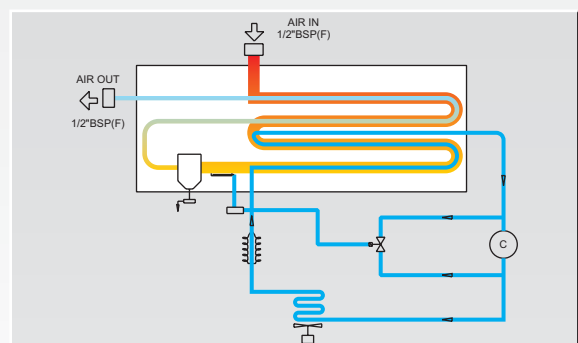


Special Features

- Non Corrosive Copper Heat Exchanger
- Low Pressure Drop
- Low Power Consumption
- Sturdy Box Frame



Schematic Diagram



High Pressure Refrigerant Compressed Air Dryers

TECHNICAL SPECIFICATION:

Model	Air Flow		Ref. Power KW #	Electrical * Connection		Inlet / Outlet BSP	Dimensions (mm)			Weight Kg.
	CFM	m³/hr		230V 1Ø,50Hz	415V 3Ø,50Hz		A	B	C	
2KD7 004	40	68	0.36	✓		½"	360	425	550	47
2KD7 006	60	100	0.36	✓		½"	360	425	550	47
2KD7 008	80	136	0.48	✓		1"	500	600	730	78
2KD7 010	100	170	0.6	✓		1"	500	600	730	90
2KD7 015	150	255	0.68	✓		1"	500	600	730	90
2KD7 020	200	340	1.0	✓		1½"	700	700	830	120
2KD7 025	250	425	1.4	✓		1½"	700	700	830	135
2KD7 030	300	510	1.4	✓		1½"	700	700	830	135
2KD7 040	400	680	1.8		✓	2"	900	900	1230	170
2KD7 050	500	850	2.2		✓	2" NB flg	900	900	1230	180
2KD7 060	600	1020	2.6		✓	2" NB flg	900	900	1230	180
2KD7 075	750	1275	3.3		✓	2" NB flg	750	1000	1400	250
2KD7 100	1000	1700	4.2		✓	2" NB flg	900	1200	1475	350



★ Voltage 200 to 240 V in case of 1Ø; 380 to 440 V in case of 3Ø

Power Consumption considering 45° C inlet and 35° C ambient temp.

Note: For 60 to 80 bar operating pressure, contact factory

FEATURES:

1. Copper "Tube in Tube" non corrosive heat exchanger, designed to have lower pressure drop and higher efficiency contains inbuilt centrifugal moisture separator having dead zone to avoid carry over of condensate.
2. PUF insulation for heat exchanger assembly.
3. Electronic timer operated Auto Drain Valve.
4. Universally available refrigeration components like Compressor, Fan motor, Filter Drier, Expansion Valve etc.
5. Non cyclic refrigeration systems, with the help of hot gas by-pass Solenoid Valve, for varying load condition and seasonal adjustments.
6. GEM PET Series Dryers are filled with "Ozone Friendly" R134a refrigerant.

INSTALLATION:

GEM PET dryers are pre wired/pre piped and are ready to install and operate.

ELECTRICALS:

Electrical is in accordance with application code and uses international components.

SERVICEABILITY:

A "Fit and Forget" unit and requires least maintenance (Trouble shooting and installation guidelines are given in manual that will be supplied along with dryer).

WORKING CONDITIONS:

	Normal	Max
Working Pressure	40 bar (g)	42 bar (g)
Inlet Temperature	45° C	60° C
Ambient Temperature	35° C	50° C
Pressure Dew Point	3° C	

$$\text{Dryer Nominal Capacity} = \frac{\text{Actual Capacity}}{C1 \times C2 \times C3}$$

CORRECTIVE FACTORS

Based on Inlet Temperature (C1)

Temperature in °C	30	35	40	45	50	55	60
Correction Factor	1.2	1.15	1.05	1.0	0.85	0.7	0.6

Based on Ambient Temperature (C2)

Temperature in °C	25	30	35	40	45	50
Correction Factor	1.1	1.05	1.0	0.9	0.85	0.75

Based on Inlet Pressure (C3)

Pressure	Bar (g)	25	30	35	40	42
	Psi (g)	360	430	500	570	600
Correction Factor		0.6	0.75	0.88	1.0	1.05

GEM Equipments (P) Ltd.

S.F.No. 103, Avanashi Road,
Arasur, Coimbatore,
Tamil Nadu 641 407, INDIA.

Phone : +91 422 2363800, 2363836,
2363837
Fax : +91 422 2360523

E-mail : sales@gemindia.com,
service@gemindia.com
Web site : http://www.gemindia.com

Regional Office Email: chennai@gemindia.com • mumbai@gemindia.com • delhi@gemindia.com • pune@gemindia.com