



Compressed Air & Cooling Systems

Wall Mounted Refrigerant Air Dryer

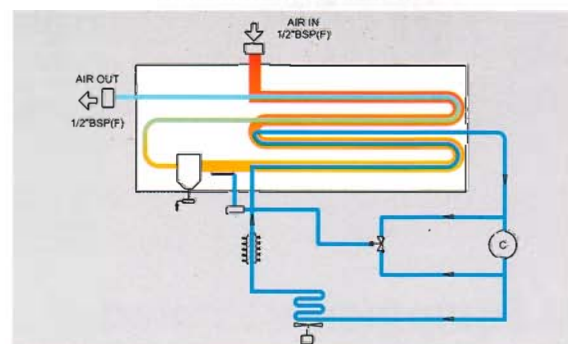
2KW Series



WORLD CLASS
COMPRESSED AIR DRYERS
AND ACCESSORIES



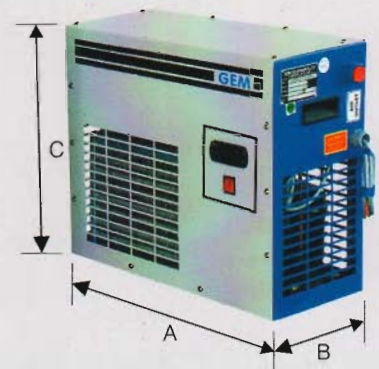
Schematic Diagram



Wall Mounted Refrigerant Air Dryer

TECHNICAL SPECIFICATION:

Model	Air Flow		Work. Press.	Power Consp.	Elec. Conn.	Refri grant	Inlet / Outlet	Dimensions (mm)			Weight
	CFM	m ³ /hr.						bar(g)	KW	230V 1Ø,50Hz	
2KW010	10	17	16	0.15	✓	R134A	½"	520	230	450	35
2KW020	20	34	16	0.21	✓	R134A	½"	520	230	450	38
2KW040	40	68	16	0.375	✓	R134A	½"	570	230	500	45



FEATURES:

1. Copper "Tube in Tube" non corrosive heat exchanger.
2. Inbuilt Non Corrosive Centrifugal specially treated Aluminium Moisture Separator.
3. PUF Insulation for Heat Exchanger Assembly.
4. Timer based Zero air loss Auto Drain Valve.
5. Filled with "Ozone Friendly" R134a refrigerant.
6. Wall Mounting type - can be mounted on any machine tool.
7. Noiseless operation.

APPLICATIONS

- ◆ CNC Machine Tools
- ◆ Electronic Industry
- ◆ Food & Beverage Industry
- ◆ Health Care & Hospitals
- ◆ Printing
- ◆ Air Bearings
- ◆ Instrument Air

RIVERA MARKETING

206, ARIHANT COMPLEX,
SWASTIK SOCIETY,
B/H. ST. XAVIER'S LADIES HOSTEL,
NAVRANGPURA, AHMEDABAD-380009.
Email : riveramarketing@sify.com
Tele Fax : 079-26464337/40370097

DIGITAL DEW POINT INDICATOR



- Digital Dew Point indicator which illustrates the pressure dew point accurately.
- Inbuilt adjustable timer for Autodrain Valve.

WORKING CONDITIONS:

Pressure : 7 bar to 16 bar
Inlet Temperature : 45°C
Ambient Temperature : 35°C (40°C Max)
Pressure Dewpoint : 3°C
Atmosphere : Dust / Dirt Free

OTHER PRODUCTS:

After cooler
Moisture Separator
Air Receiver
Desiccant Dryers
Auto Drain Valve
Filters
Heated type Dryers

GEM Equipments Limited

S.F.No. 103, Avanashi Road,
Arasur, Coimbatore,
TN 641 407, INDIA.

Phone : +91 422 3267800, 3267900
2360131
Fax : +91 422 2360523

E-mail : info@gemindia.com, sales@gemindia.com,
service@gemindia.com, parts@gemindia.com
Web site : http://www.gemindia.com

Regional Office Email: chennai@gemindia.com • mumbai@gemindia.com • kolkata@gemindia.com

www.velman.com